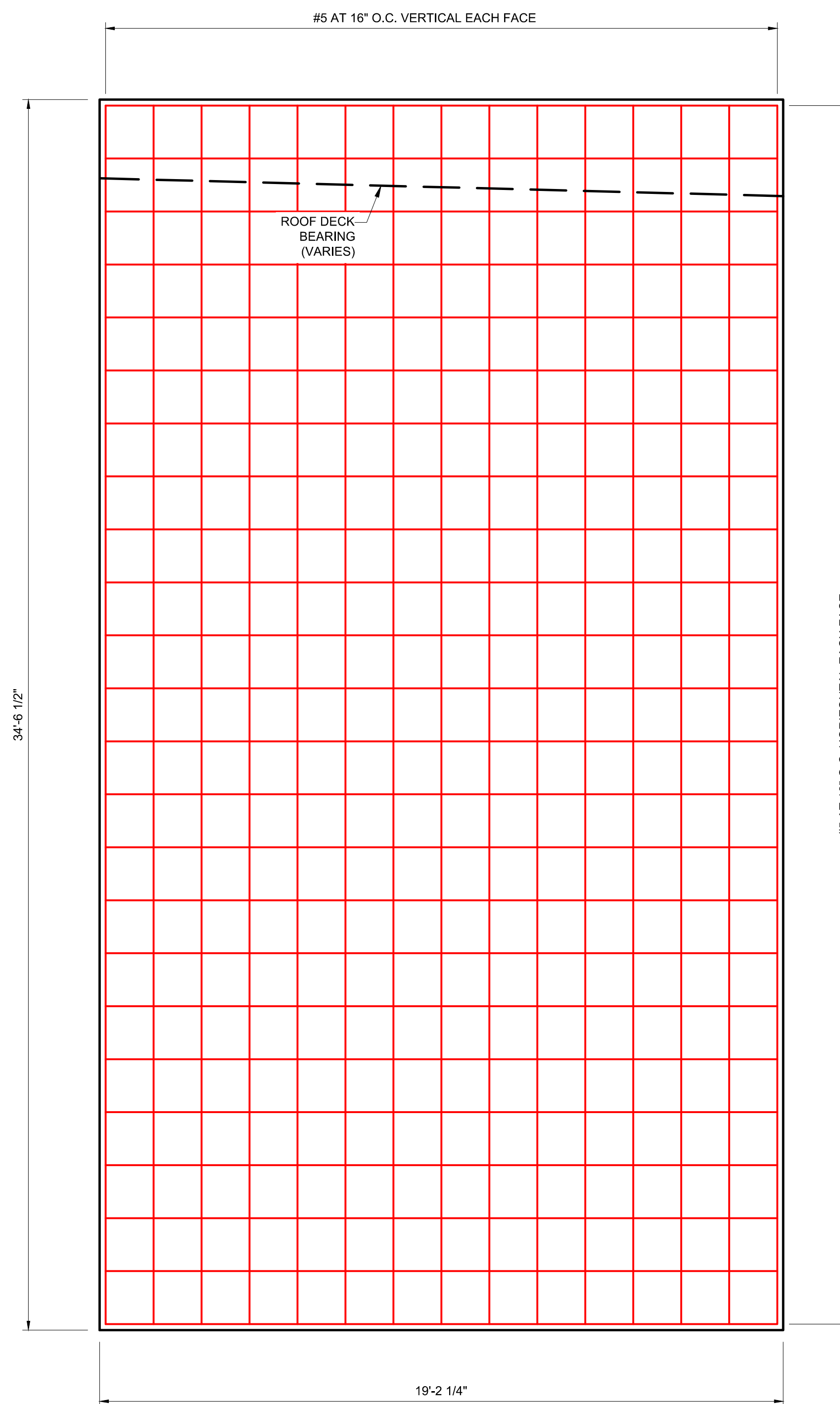


INNSTRUCT REINFORCING

3/8" = 1'-0"

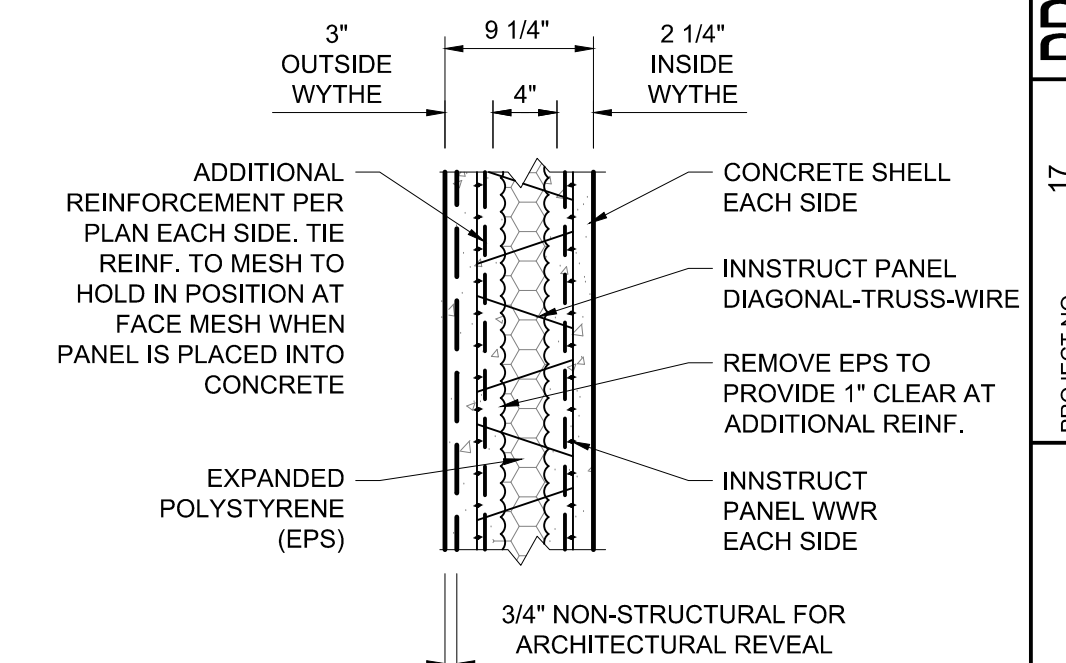
- TIPS**
 3" EXTERIOR CONCRETE WYTHE (COMPOSITE)
 4" EPS INSULATION
 2-1/4" INTERIOR CONCRETE WYTHE (COMPOSITE)
 9-1/4" TOTAL THICKNESS



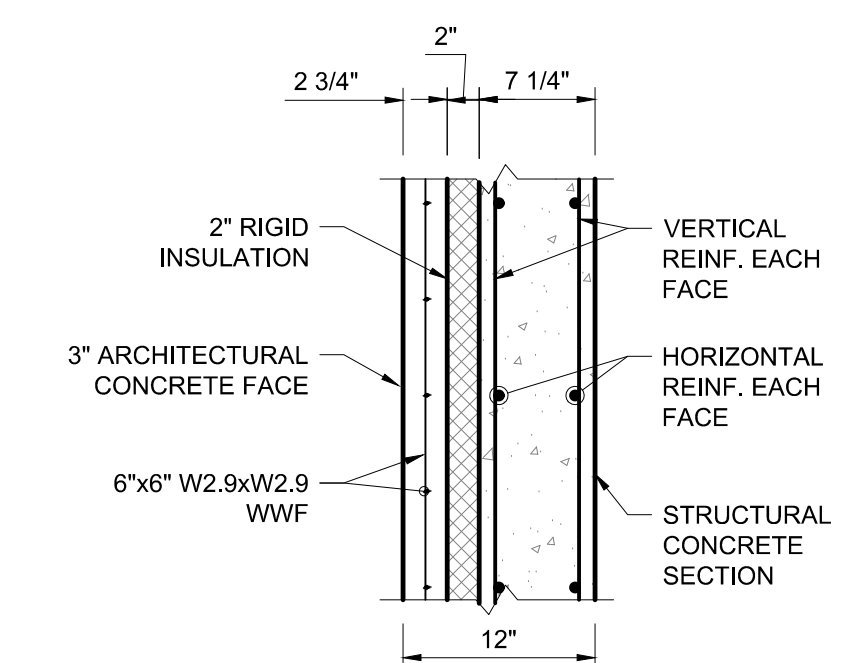
ORIGINAL PANEL DESIGN

3/8" = 1'-0"

- ORIGINAL PANEL**
 2-3/4" EXTERIOR CONCRETE FACE (NON-COMPOSITE)
 2" DOW EXTRUDED POLYSTYRENE BOARD INSULATION
 7-1/4" STRUCTURAL SECTION (NON-COMPOSITE)
 12" TOTAL THICKNESS



TYPICAL INNSTRUCT PANEL
 SCALE: N.T.S.



NOTE:
 FIBER CONNECTORS AT 16" O.C. EACH WAY TO CONNECT 2-3/4" CONCRETE FACE TO STRUCTURAL SECTION

ORIGINAL PANEL SECTION
 SCALE: N.T.S.

NO.	REVISIONS	BY	DATE

FORSGREN Associates Inc.
 95 WEST 100 SOUTH, STE. 115, LOGAN, UT 84321
 PH: 435.227.0333 FAX: 435.227.0334

PRELIMINARY DRAWING NOT FOR CONSTRUCTION

PROJECT NO. 17
DRAWN
DESIGNED
APPROVED
QA/QC

INNOVATIVE STRUCTURAL SOLUTIONS

PROJECT 17

TIPS COMPARISON

SHEET NO:

DATE: JANUARY 2021

PAGE NO: 1 OF 2

INNSTRUCT | Total Integrated Panel System (TIPS)

Basic Design Comparison and Material Displacement Estimate

Project: **17A**

Prepared by:

Kim D. Blackburn

Panel Description: S100 No openings

Date:

1/1/2021

Total Wall Square Feet: 51,538

Total Panels in Project: 80

Panel Configuration:

- 19 Number of Similar Panels in Project
- 34.50 Height (ft)
- 19.50 Width (ft)
- Area of Openings (ft²) -
- 673 Panel Area (ft²)
- 150 Concrete Weight (lbs./ft³)



Original Design Configuration:

2.75	Architectural Wythe (in)
2	Insulation (in)
7.25	Structural Wythe (in)
10	Concrete Thickness (in)
12	Total Thickness (in)
15.0	R-value Materials Only

Innstruct | TIPS Design Configuration:

3	Outside Wythe (in)
4	Insulation (in)
2.25	Inside Wythe (in)
5.25	Concrete Thickness (in)
9.25	Total Thickness (in)
22.6	R-value Materials Only

Design Comparison | Material Displacement:

Original Design

Material	Amount	Units
Concrete	21	cubic yds
Reinforcement	2,024	lbs.
Panel Weight	86,118	lbs.

TIPS Design

Amount	Units	% Reduced
11	cubic yds	48%
513	lbs.	75%
44,662	lbs.	48%

INNOVATIVE STRUCTURAL SOLUTIONS

375 East 400 North - Morgan, Utah 84050 | www.innstruct.com

BETTER PANEL | LESS EFFORT | MORE PROFIT