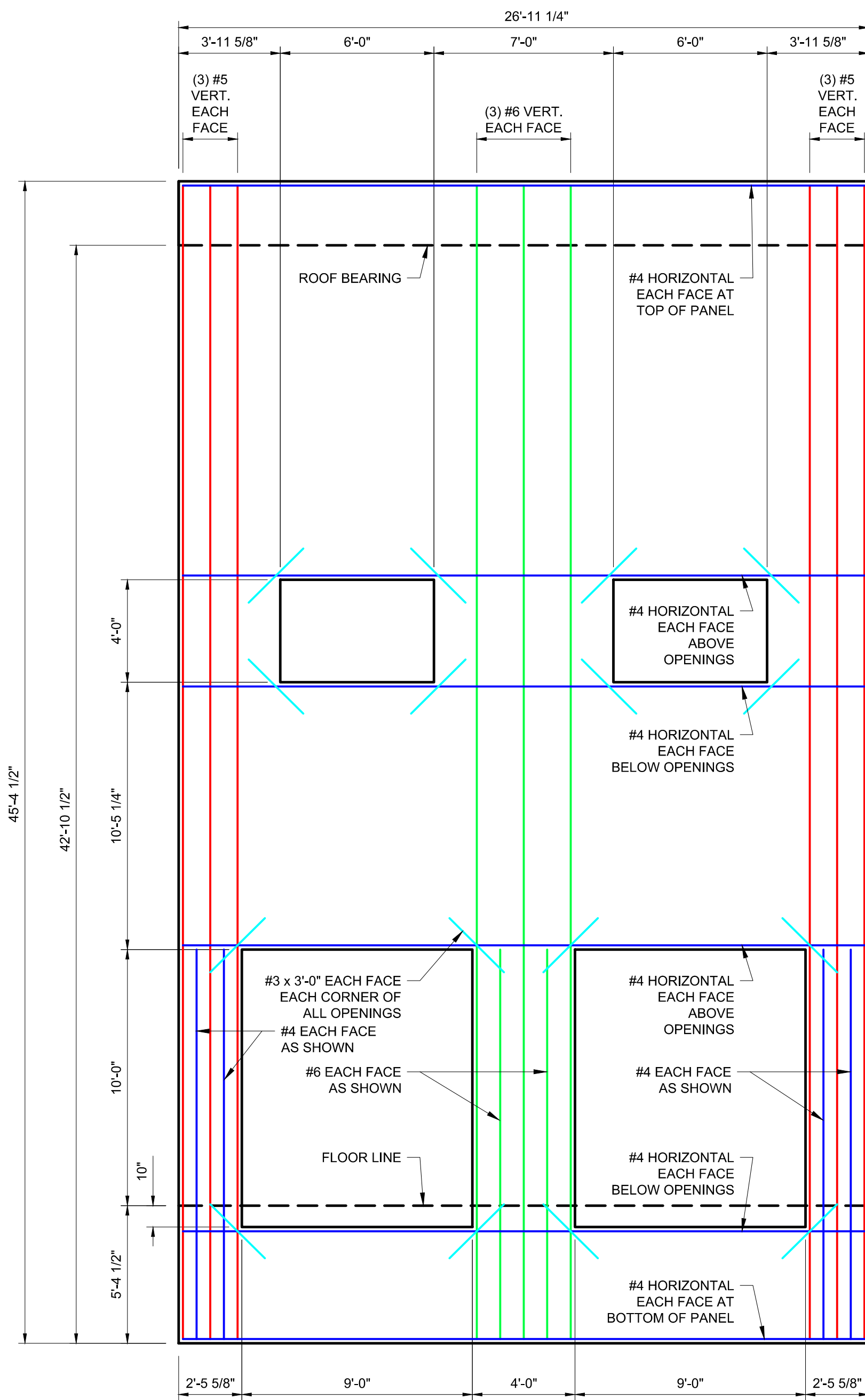
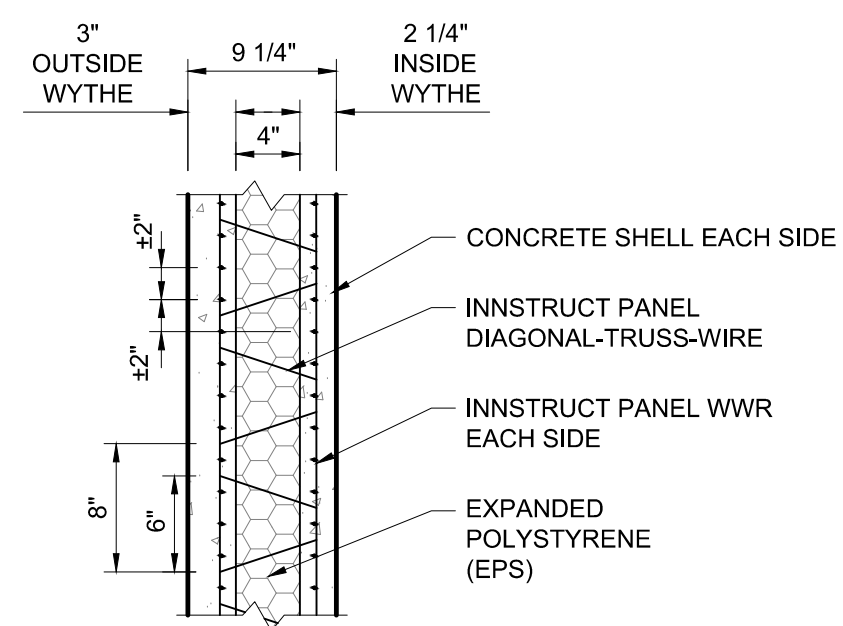


G:\Projects\1814-18-0042 ISS Panels\14_Tilt-up Panel Comparison\0-Project Summary\CAD\SHEETS\16.dwg - - 1/5/2021 12:13 PM

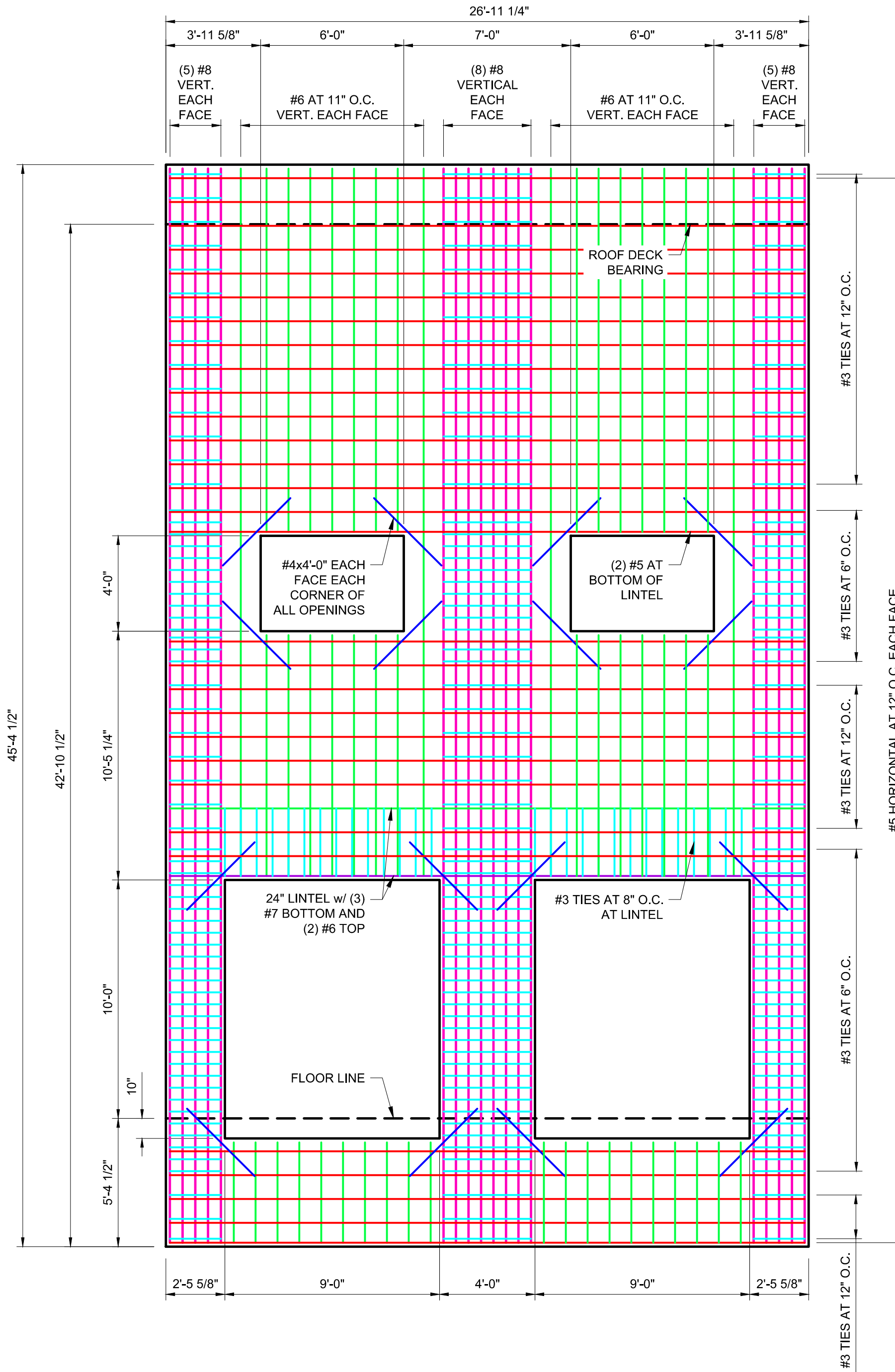


PANEL- INNSTRUCT REINFORCING
1/4" = 1'-0"

- TIPS**
 3" EXTERIOR CONCRETE WYTHE (COMPOSITE)
 4" EPS INSULATION
 2-1/4" INTERIOR CONCRETE WYTHE (COMPOSITE)
 9-1/4" TOTAL THICKNESS

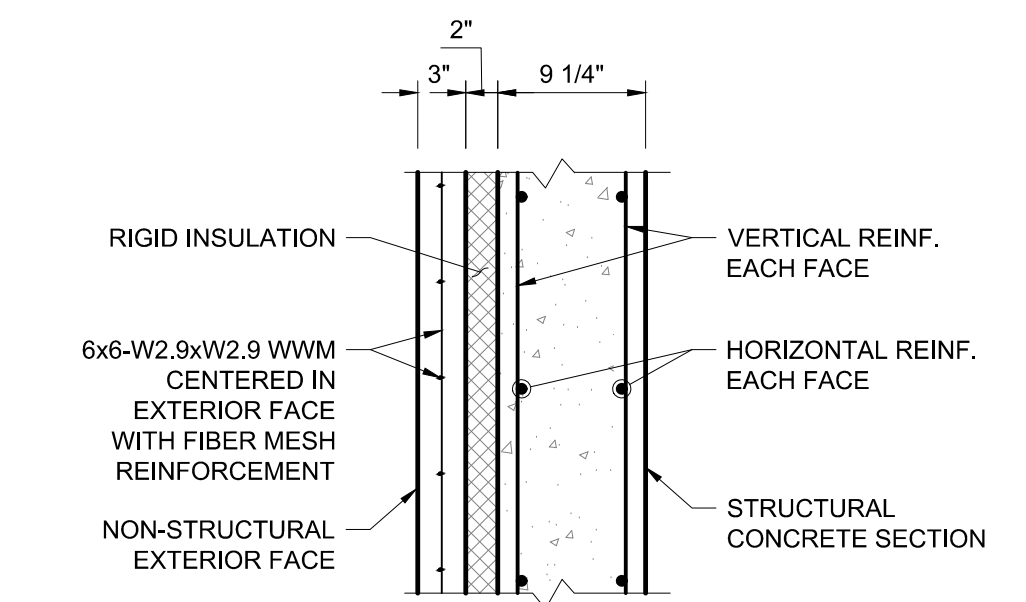


TYPICAL INNSTRUCT PANEL
SCALE: NTS



SOLID CONCRETE PANEL REINFORCING
1/4" = 1'-0"

- SOLID CONCRETE SECTION**
 9 1/4" STRUCTURAL INTERIOR CONCRETE
 2" RIGID INSULATION INSULATION
 3" NON-STRUCTURAL EXTERIOR CONCRETE FACE
 14 1/4" TOTAL PANEL THICKNESS



SOLID CONCRETE PANEL SECTION
SCALE: NTS

LIMITATION OF COMPARISON:
ORIGINAL PANEL DRAWINGS ARE BASED ON PROJECT PLANS

TIPS COMPARISON DRAWINGS ARE PRELIMINARY AND ARE SUBJECT TO CHANGE BASED ON FINAL DESIGN.

BAR SIZE LEGEND:

- #3 - CYAN
- #4 - BLUE
- #5 - RED
- #6 - GREEN
- #7 - PURPLE
- #8 - PINK

TIE BAR - - - - (SIZE PER COLOR)

NO.	REVISIONS	BY	DATE

FORSGREN Associates Inc.
 95 WEST 100 SOUTH, STE. 115, LOGAN, UT 84321
 PH: 435.227.0333
 FAX: 435.227.0334

PRELIMINARY DRAWING NOT FOR CONSTRUCTION

PROJECT NO. 16
DRAWN
DESIGNED
APPROVED
QA/QC

INNOVATIVE STRUCTURAL SOLUTIONS

PROJECT 16

TIPS COMPARISON

SHEET NO: **S100**

DATE: **JANUARY 2021**

PAGE NO: **1 OF 1**

INNSTRUCT | Total Integrated Panel System (TIPS)

Basic Design Comparison and Material Displacement Estimate

Project: **16A**
 Panel Description: S100 Windows, Overhead doors
 Total Wall Square Feet: 89,200
 Total Panels in Project: 107

Prepared by: Kim D. Blackburn
 Date: 1/1/2021

Panel Configuration:

- 16 Number of Similar Panels in Project
- 45.33 Height (ft)
- 27.00 Width (ft)
- 228 Area of Openings (ft²) - windows , overhead doors
- 996 Panel Area (ft²)
- 150 Concrete Weight (lbs./ft³)



Original Design Configuration:

3	Architectural Wythe (in)
2	Insulation (in)
9.25	Structural Wythe (in)
12.25	Concrete Thickness (in)
14.25	Total Thickness (in)
16.1	R-value Materials Only

Innstruct | TIPS Design Configuration:

3	Outside Wythe (in)
4	Insulation (in)
2.25	Inside Wythe (in)
5.25	Concrete Thickness (in)
9.25	Total Thickness (in)
22.6	R-value Materials Only

Design Comparison | Material Displacement:

Original Design

Material	Amount	Units
Concrete	38	cubic yds
Reinforcement	8,280	lbs.
Panel Weight	160,779	lbs.

TIPS Design

Amount	Units	% Reduced
16	cubic yds	57%
1,403	lbs.	83%
66,760	lbs.	58%

INNOVATIVE STRUCTURAL SOLUTIONS

375 East 400 North - Morgan, Utah 84050 | www.innstruct.com

BETTER PANEL | LESS EFFORT | MORE PROFIT