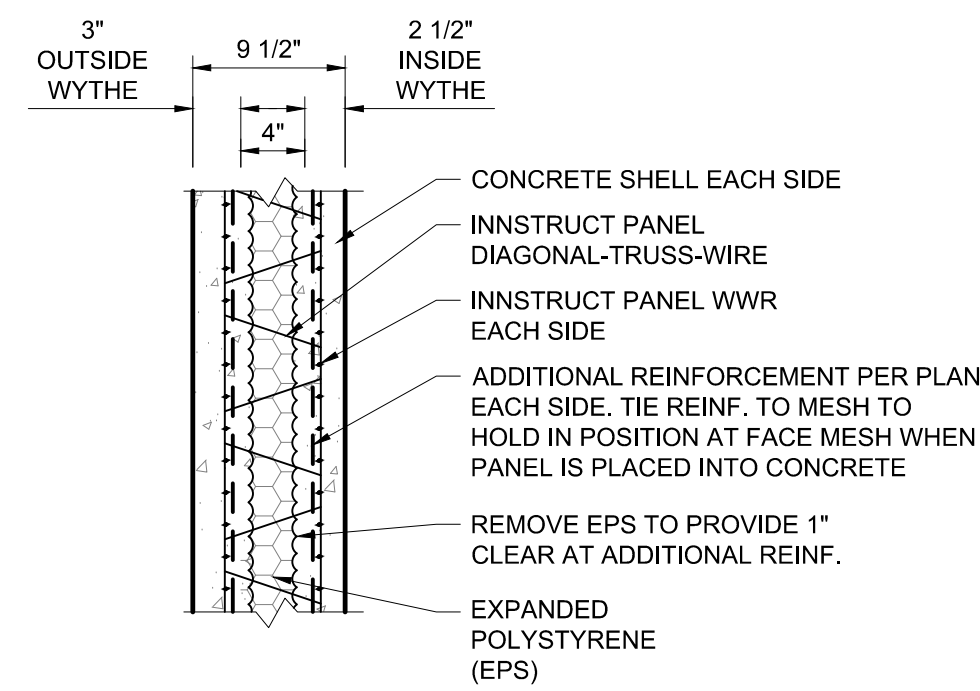


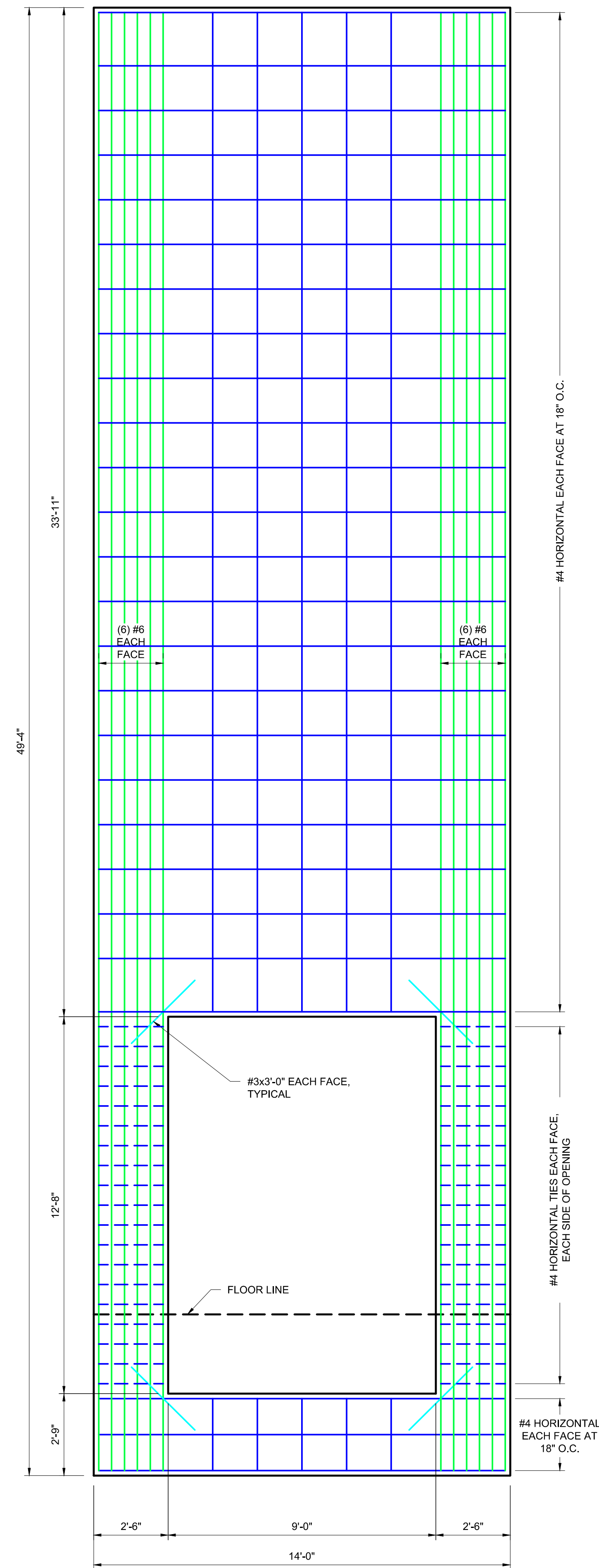
TIPS REINFORCING
3/8" = 1'-0"



TYPICAL TIPS SECTION

SCALE: NTS

- TIPS**
 3" EXTERIOR CONCRETE WYTHE (COMPOSITE)
 4" EPS INSULATION
 2-1/2" INTERIOR CONCRETE WYTHE (COMPOSITE)
 9-1/2" TOTAL THICKNESS



ORIGINAL PANEL REINFORCING
3/8" = 1'-0"

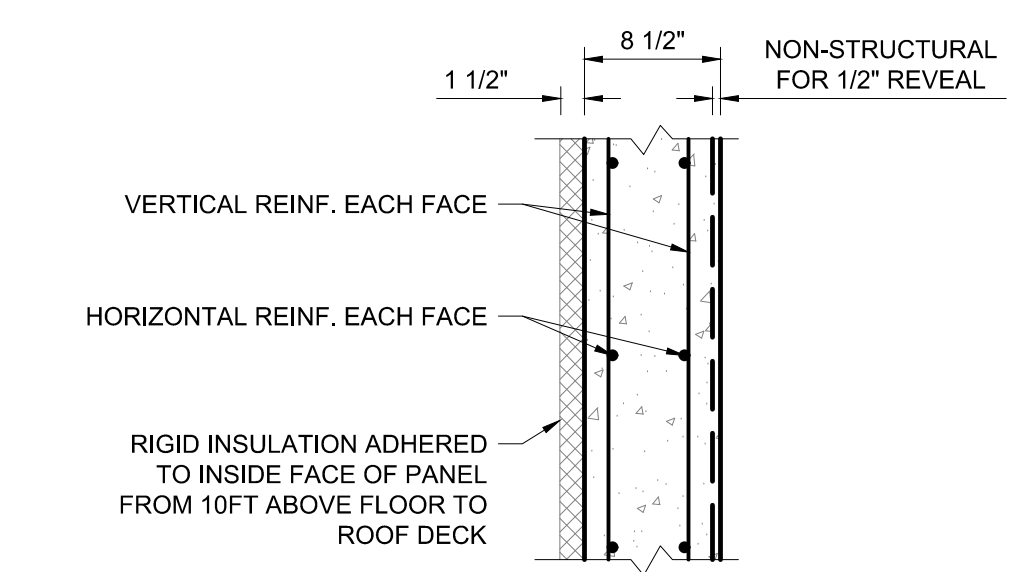
LIMITATION OF COMPARISON:
ORIGINAL PANEL DRAWINGS ARE BASED ON PROJECT PLANS

TIPS COMPARISON DRAWINGS ARE PRELIMINARY AND ARE SUBJECT TO CHANGE BASED ON FINAL DESIGN.

BAR SIZE LEGEND:

- #3 - CYAN
- #4 - BLUE
- #5 - RED
- #6 - GREEN
- #7 - PURPLE
- #8 - PINK

TIE BAR - - - - (SIZE PER COLOR)



SOLID CONCRETE PANEL SECTION

SCALE: NTS

- ORIGINAL PANEL**
 8" EXTERIOR CONCRETE
 1/2" NON-STRUCTURAL FOR REVEAL
 1.55" RIGID INSULATION INSULATION
 8-1/2" TOTAL THICKNESS

PROJECT NO. 9	NO.	REVISIONS	BY	DATE
DRAWN				
DESIGNED				
APPROVED				
OAC/CC				

This document or any part thereof in detail or design shall not be copied without the written authorization of Forsgren Associates Inc.

FORSGREN Associates Inc.

95 WEST 100 SOUTH, STE. 115, LOGAN, UT 84321
PH: 435.227.0334 FAX: 435.227.0334

PRELIMINARY DRAWING NOT FOR CONSTRUCTION

INNOVATIVE STRUCTURAL SOLUTIONS

PROJECT 9A
TIPS COMPARISON

SHEET NO:

DATE: NOVEMBER 2020

PAGE NO:

INNSTRUCT | Total Integrated Panel System (TIPS)

Basic Design Comparison and Material Displacement Estimate

Project: **9A**
 Panel Description: S100 Overhead door
 Total Wall Square Feet: 197,320
 Total Panels in Project: 292

Prepared by: Kim D. Blackburn
 Date: 1/1/2021

Panel Configuration:
 174 Number of Similar Panels in Project
 49.33 Height (ft)
 14.00 Width (ft)
 114 Area of Openings (ft²) 1 Ovedrhead door
 577 Panel Area (ft²)
 150 Concrete Weight (lbs./ft³)



Original Design Configuration:

0.5	Architectural Wythe (in)
1.55	Insulation (in)
8	Structural Wythe (in)
8.5	Concrete Thickness (in)
10.05	Total Thickness (in)
12.0	R-value Materials Only

Innstruct | TIPS Design Configuration:

3	Outside Wythe (in)
4	Insulation (in)
2.25	Inside Wythe (in)
5.25	Concrete Thickness (in)
9.25	Total Thickness (in)
22.6	R-value Materials Only

Design Comparison | Material Displacement:

Original Design

Material	Amount	Units
Concrete	15	cubic yds
Reinforcement	3,036	lbs.
Panel Weight	64,302	lbs.

TIPS Design

Amount	Units	% Reduced
9	cubic yds	38%
908	lbs.	70%
38,749	lbs.	40%

INNOVATIVE STRUCTURAL SOLUTIONS

375 East 400 North - Morgan, Utah 84050 | www.innstruct.com

BETTER PANEL | LESS EFFORT | MORE PROFIT