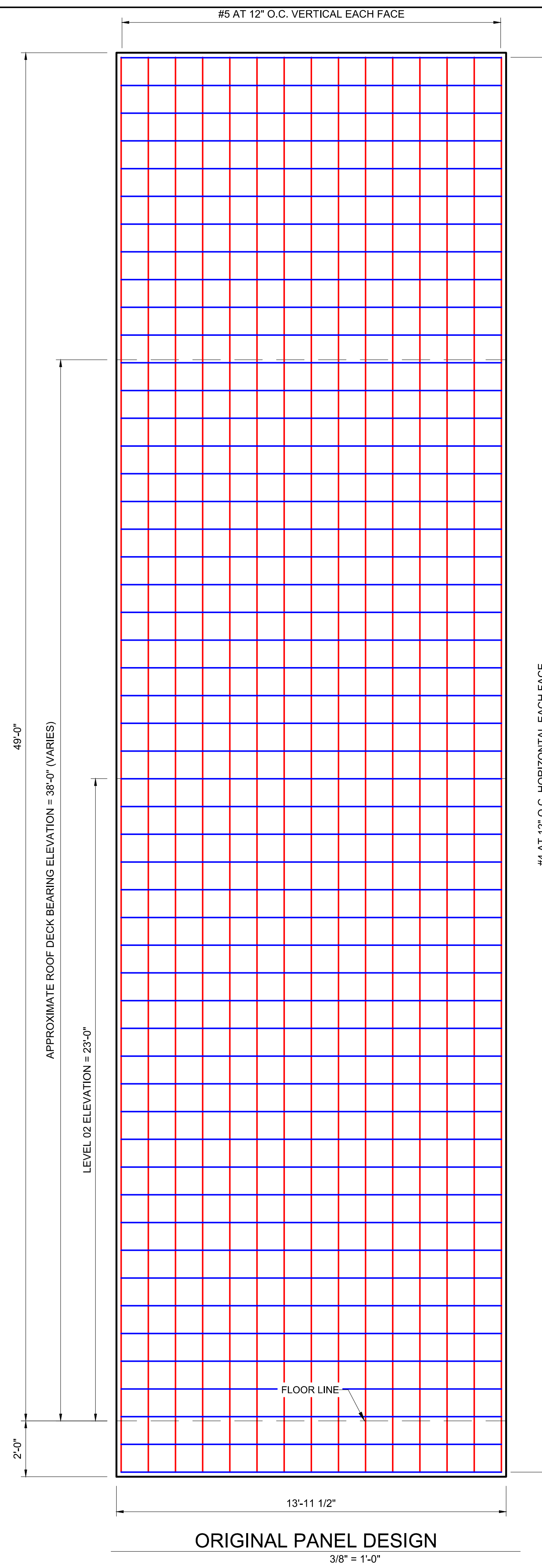


TIPS
 3" EXTERIOR CONCRETE WYTHE (COMPOSITE)
 4" EPS INSULATION
 2-1/4" INTERIOR CONCRETE WYTHE (COMPOSITE)
 9-1/4" TOTAL THICKNESS



#4 AT 12" O.C. HORIZONTAL EACH FACE

ORIGINAL PANEL
 10" STRUCTURAL SECTION (NON-COMPOSITE)
 2" INSULATION
 3" EXTERIOR CONCRETE FACE (NON-COMPOSITE)
 15" TOTAL THICKNESS

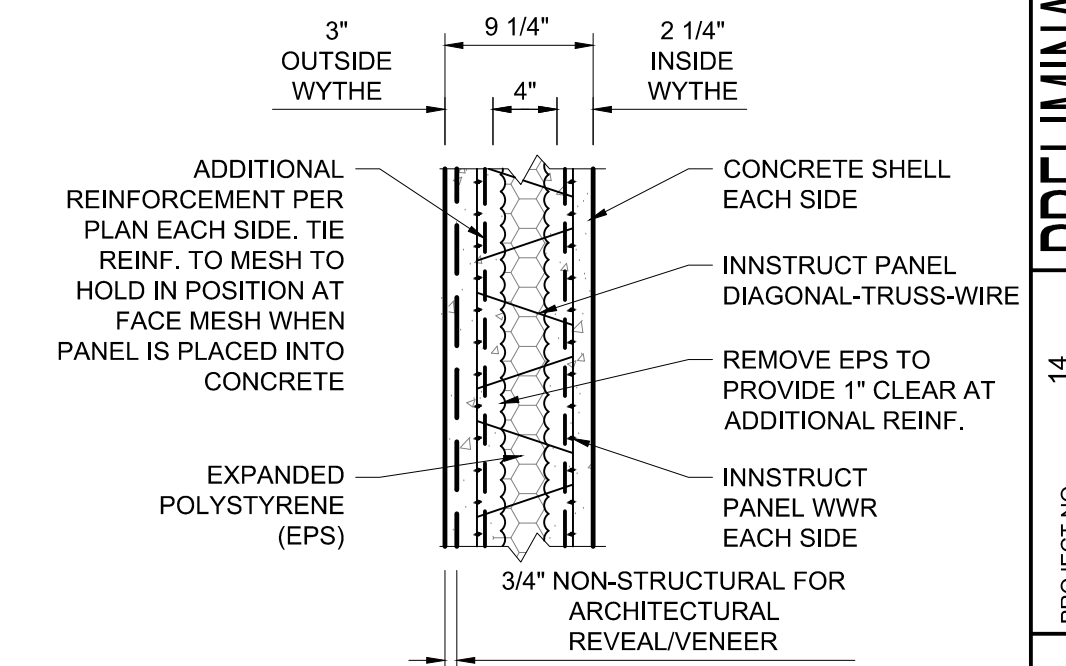
LIMITATION OF COMPARISON:
 ORIGINAL PANEL DRAWINGS ARE BASED ON PROJECT PLANS

TIPS COMPARISON DRAWINGS ARE PRELIMINARY AND ARE SUBJECT TO CHANGE BASED ON FINAL DESIGN.

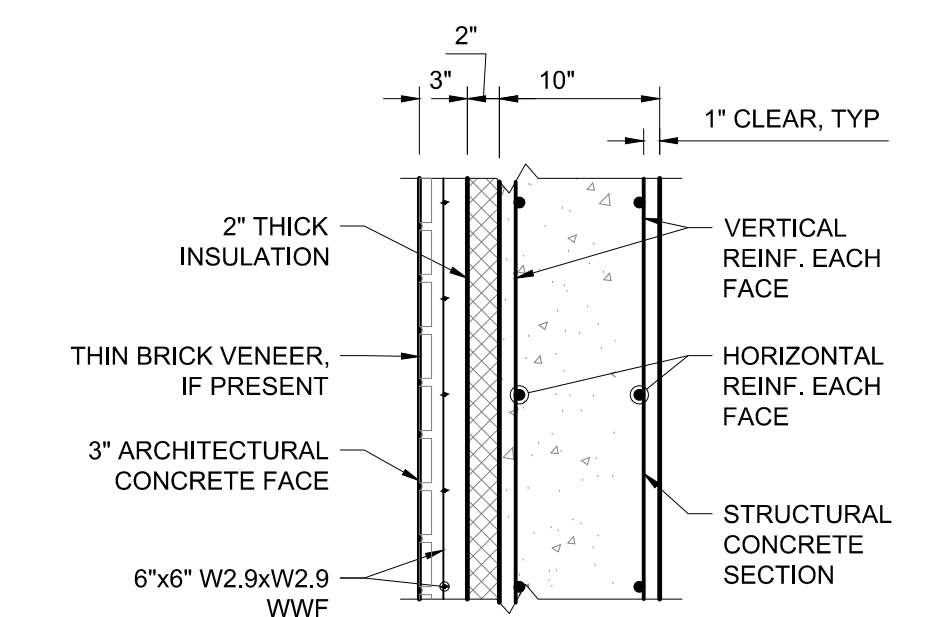
BAR SIZE LEGEND:

- #3 - CYAN
- #4 - BLUE
- #5 - RED
- #6 - GREEN
- #7 - PURPLE
- #8 - PINK

TIE BAR - - - - (SIZE PER COLOR)



TYPICAL INNSTRUCT PANEL
 SCALE: N.T.S.



NOTE:
 WYTHE CONNECTORS AT 16" O.C. EACH WAY TO CONNECT 3" CONCRETE FACE TO STRUCTURAL SECTION

ORIGINAL PANEL SECTION
 SCALE: N.T.S.

<p>PRELIMINARY DRAWING NOT FOR CONSTRUCTION</p>		NO.	REVISIONS	BY	DATE
		<p>This document or any part thereof in detail or design shall not be copied without the written authorization of Forsgren Associates Inc.</p>			
<p>FORSGREN Associates Inc.</p> <p>95 WEST 100 SOUTH, STE. 115, LOGAN, UT 84321 PH: 435.227.0333</p>		<p>PROJECT NO. 14</p> <p>DRAWN</p> <p>DESIGNED</p> <p>APPROVED</p> <p>QA/QC</p>			
<p>INNOVATIVE STRUCTURAL SOLUTIONS</p>		<p>PROJECT 14</p> <p>TIPS COMPARISON</p>			
<p>SHEET NO:</p>		<p>DATE: NOVEMBER 2020</p> <p>PAGE NO:</p>			

INNSTRUCT | Total Integrated Panel System (TIPS)

Basic Design Comparison and Material Displacement Estimate

Project: **14B**
 Panel Description: S101 no openings , thin brick veneer
 Total Wall Square Feet: 54,933
 Total Panels in Project: 105

Prepared by: Kim D. Blackburn
 Date: 1/1/2021

Panel Configuration:
 26 Number of Similar Panels in Project
 51.00 Height (ft)
 14.00 Width (ft)
 - Area of Openings (ft²)
 714 Panel Area (ft²)
 150 Concrete Weight (lbs./ft³)



Original Design Configuration:

3	Architectural Wythe (in)
2	Insulation (in)
10	Structural Wythe (in)
13	Concrete Thickness (in)
15	Total Thickness (in)
16.5	R-value Materials Only

Innstruct | TIPS Design Configuration:

3	Outside Wythe (in)
4	Insulation (in)
2.25	Inside Wythe (in)
5.25	Concrete Thickness (in)
9.25	Total Thickness (in)
22.6	R-value Materials Only

Design Comparison | Material Displacement:

Original Design

Material	Amount	Units
Concrete	29	cubic yds
Reinforcement	2,490	lbs.
Panel Weight	118,515	lbs.

TIPS Design

Amount	Units	% Reduced
12	cubic yds	60%
535	lbs.	79%
47,391	lbs.	60%

INNOVATIVE STRUCTURAL SOLUTIONS

375 East 400 North - Morgan, Utah 84050 | www.innstruct.com

BETTER PANEL | LESS EFFORT | MORE PROFIT