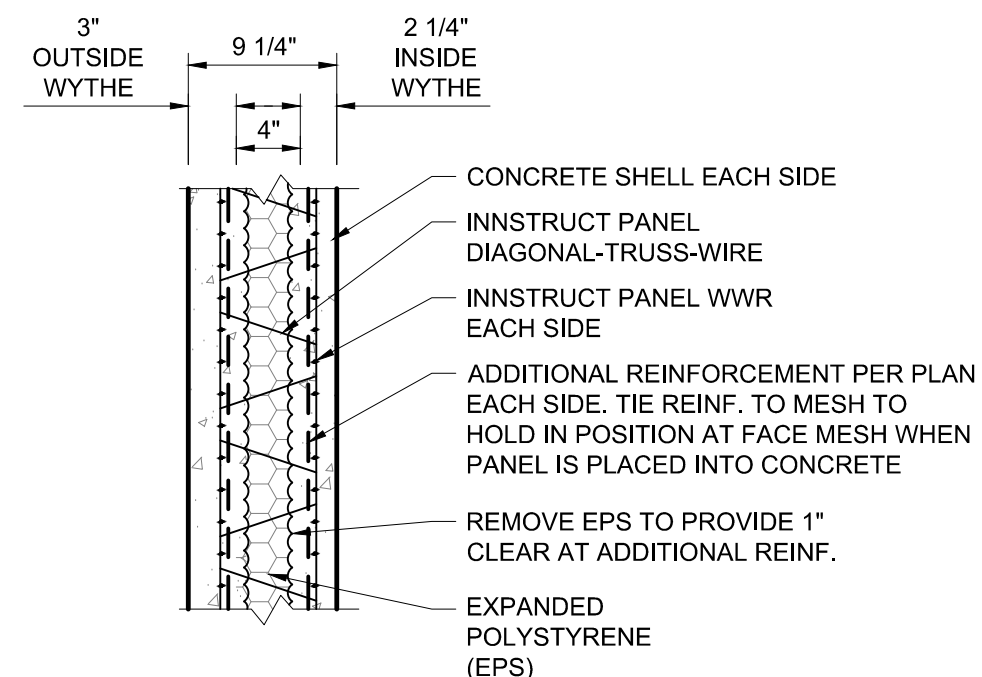
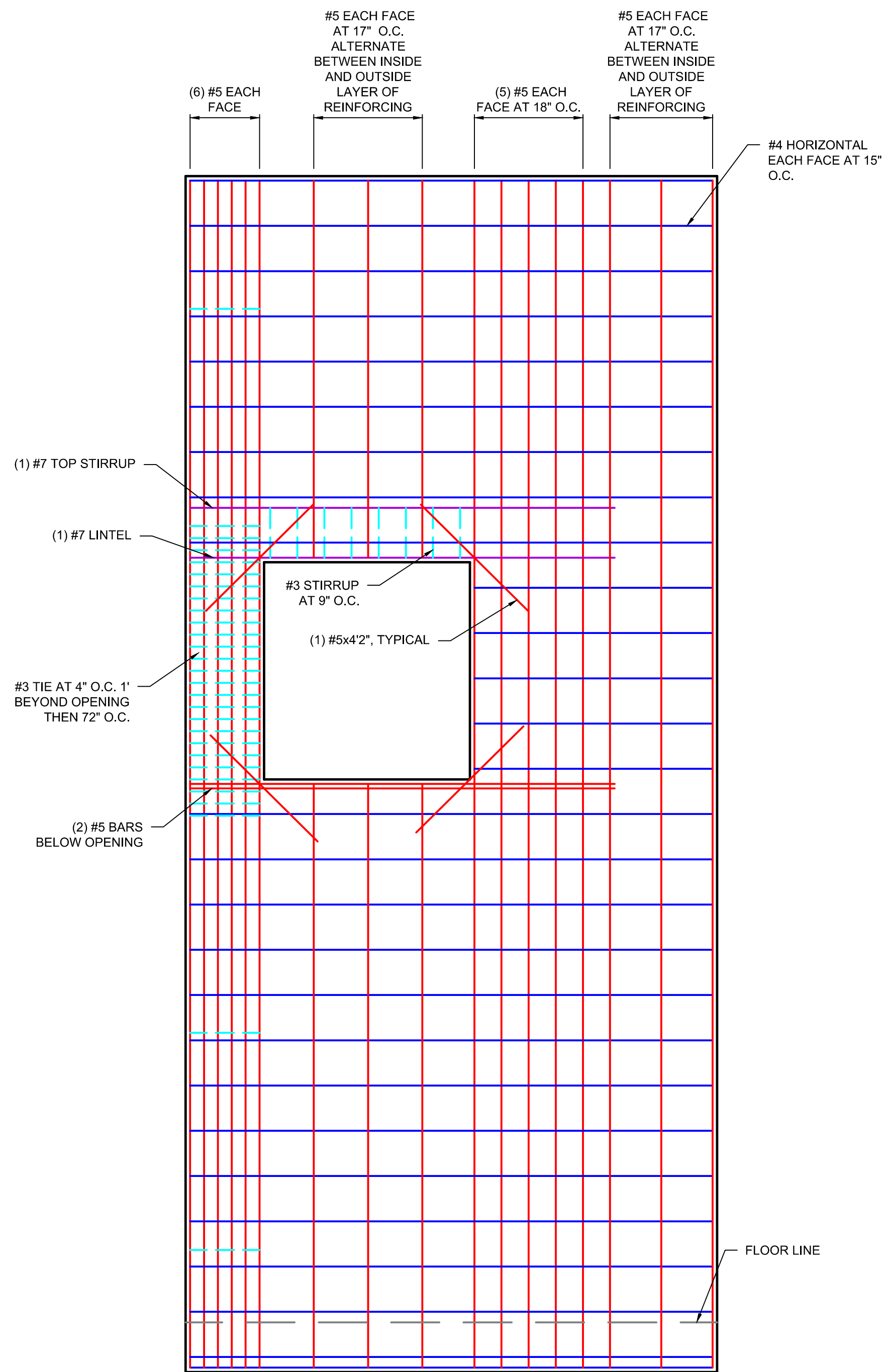


TIPS REINFORCING
3/8" = 1'-0"

TIPS
3" EXTERIOR CONCRETE WYTBE (COMPOSITE)
4" EPS INSULATION
2.25" INTERIOR CONCRETE WYTBE (COMPOSITE)
9.25" TOTAL THICKNESS

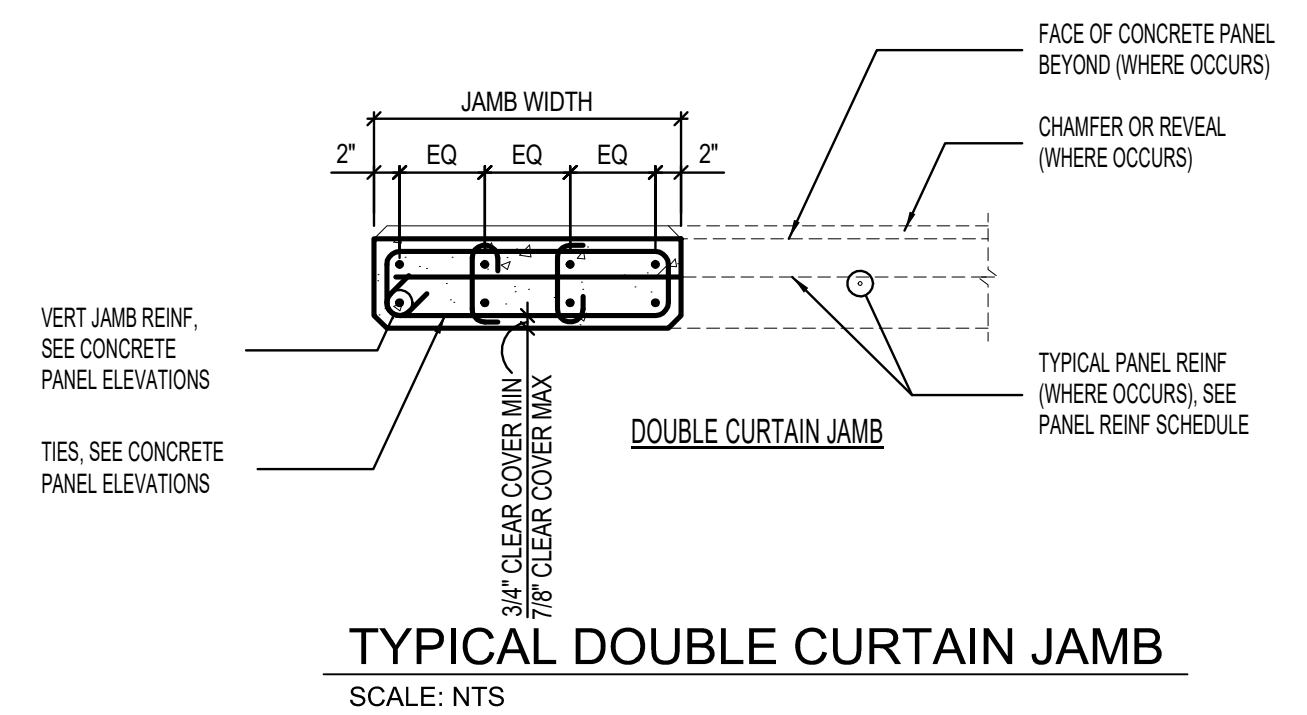


TYPICAL TIPS SECTION
SCALE: NTS



ORIGINAL PANEL REINFORCING
3/8" = 1'-0"

ORIGINAL PANEL
7.25" CONCRETE THICKNESS



TYPICAL DOUBLE CURTAIN JAMB
SCALE: NTS

LIMITATION OF COMPARISON:
ORIGINAL PANEL DRAWINGS ARE BASED ON PROJECT PLANS

TIPS COMPARISON DRAWINGS ARE PRELIMINARY AND ARE SUBJECT TO CHANGE BASED ON FINAL DESIGN.

BAR SIZE LEGEND:

- #3 - CYAN
- #4 - BLUE
- #5 - RED
- #6 - GREEN
- #7 - PURPLE
- #8 - PINK

TIE BAR - - - - (SIZE PER COLOR)

NO.	REVISIONS	BY	DATE

FORSGREN Associates Inc.
95 WEST 100 SOUTH, STE. 115, LOGAN, UT 84321
PH: 435.227.0333
FAX: 435.227.0334

PRELIMINARY DRAWING NOT FOR CONSTRUCTION

PROJECT NO. 2
DRAWN
DESIGNED
APPROVED
QA/QC

INNOVATIVE STRUCTURAL SOLUTIONS

PROJECT 2 B

TIPS COMPARISON

SHEET NO:

DATE: NOVEMBER 2020
PAGE NO:

INNSTRUCT | Total Integrated Panel System (TIPS)

Basic Design Comparison and Material Displacement Estimate

Project: **2B**
 Panel Description: S101 windows
 Total Wall Square Feet: 23,800
 Total Panels in Project: 27

Prepared by: Kim D. Blackburn
 Date: 1/1/2021

Panel Configuration:

- 5 Number of Similar Panels in Project
- 33.00 Height (ft)
- 14.67 Width (ft)
- 34 Area of Openings (ft²) 6' x 5'8"
- 450 Panel Area (ft²)
- 150 Concrete Weight (lbs./ft³)



Original Design Configuration:

0	Architectural Wythe (in)
0	Insulation (in)
7.25	Structural Wythe (in)
7.25	Concrete Thickness (in)
7.25	Total Thickness (in)
3.6	R-value Materials Only

Innstruct | TIPS Design Configuration:

3	Outside Wythe (in)
4	Insulation (in)
2.25	Inside Wythe (in)
5.25	Concrete Thickness (in)
9.25	Total Thickness (in)
22.6	R-value Materials Only

Design Comparison | Material Displacement:

Original Design

Material	Amount	Units
Concrete	10	cubic yds
Reinforcement	1,870	lbs.
Panel Weight	42,661	lbs.

TIPS Design

Amount	Units	% Reduced
7	cubic yds	28%
303	lbs.	84%
29,841	lbs.	30%

INNOVATIVE STRUCTURAL SOLUTIONS

375 East 400 North - Morgan, Utah 84050 | www.innstruct.com

BETTER PANEL | LESS EFFORT | MORE PROFIT